

SEMIX CONCRETE RECYCLER SMRC 15

CONCRETE RECLAIMERS SMRC



SMX-R-2311011708-0

PROPOSAL

PHILIP A TABONE

Anthony Tabone
at@anthonytabone.com
+356 7949 2045
Malta

Delivery

12-14 Weeks

Validity Of Offer

09-11-2023

Terms Of Payment

%50 Advance, %50 Before Shipment



CONCRETE RECYCLER SMRC 15

DESCRIPTION	AMOUNT	UNIT PRICE	TOTAL PRICE
1) CONCRETE RECYCLER SMRC 15	1	€55,000.00	€55,000.00
1.1) CAPACITY : 15 M³/H	1	-	-
1.2) BODY MOTOR POWER : 2.2 X 2 KW	1	-	-
1.3) CONCRETE RECEIVING HOPPER: 1.9 M³	1	-	-
1.4) ROTATION SPEED: 6.5 RPM	1	-	-
1.5) VIBRATOR : 200/3	1	-	-
1.6) AGIGATOR MOTOR POWER : 5.5 KW	1	-	-
1.7) WATER WEIGHING FEEDING MOTOR POWER: 5.5 KW	1	-	-
1.8) MIXER&BODY WATER FEEDING MOTOR POWER: 2.2 KW	1	-	-
		Subtotal:	€55,000.00
		Discount:	-€20,000.00
		Total:	€35,000.00
TRANSPORTATION			
		Concrete Recycler SMRC 15 - (EXW Ankara)	€0.00
		General Total:	€35,000.00



Recycling system SEMIX SMRC 15

Rotating Body of Recycling System

Motor Power of Body : 2.2 KW x 2 pcs.

Vibrator: 200/3 x 1 pcs.

Rotation Speed: 6,5 m/s

Concrete Hopper Capacity: 1,9 m³

Agitator & Pumping System

Motor Power of Agitator : 5,5 KW x 1 pcs.

Motor Power of Water Feeding System for Concrete Batching Plant : 5,5 kw x 1 pcs.

Motor Power of Water Feeding System for Recycling System : 2,2 kw x 1 pcs.

Electrical Panel

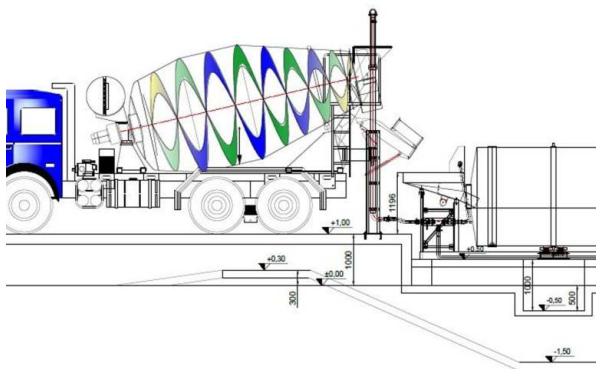


Protecting The Environment

Nowadays, environmental impacts of concrete is getting an significant issue in the world. Concrete recycling is increasing in response to improved environmental awareness, legislation, and economic considerations.

Innovation Against Conventional Methods

Mostly, companies reuse hardened concrete after breaking and crushing processes. This process causes unexpected costs and uncertain materials for concrete production. Also, this method is now forbidden by law.



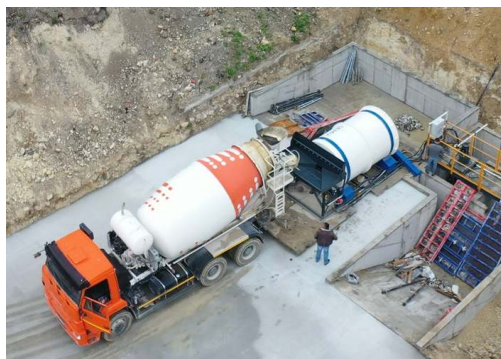
Easiest Way To Recycle Of Concrete

Sand and gravel which is inside of residual concrete can be easily washed out by this system. Then it can be reused as aggregate for concrete production. Waste water can also be reused in production process.

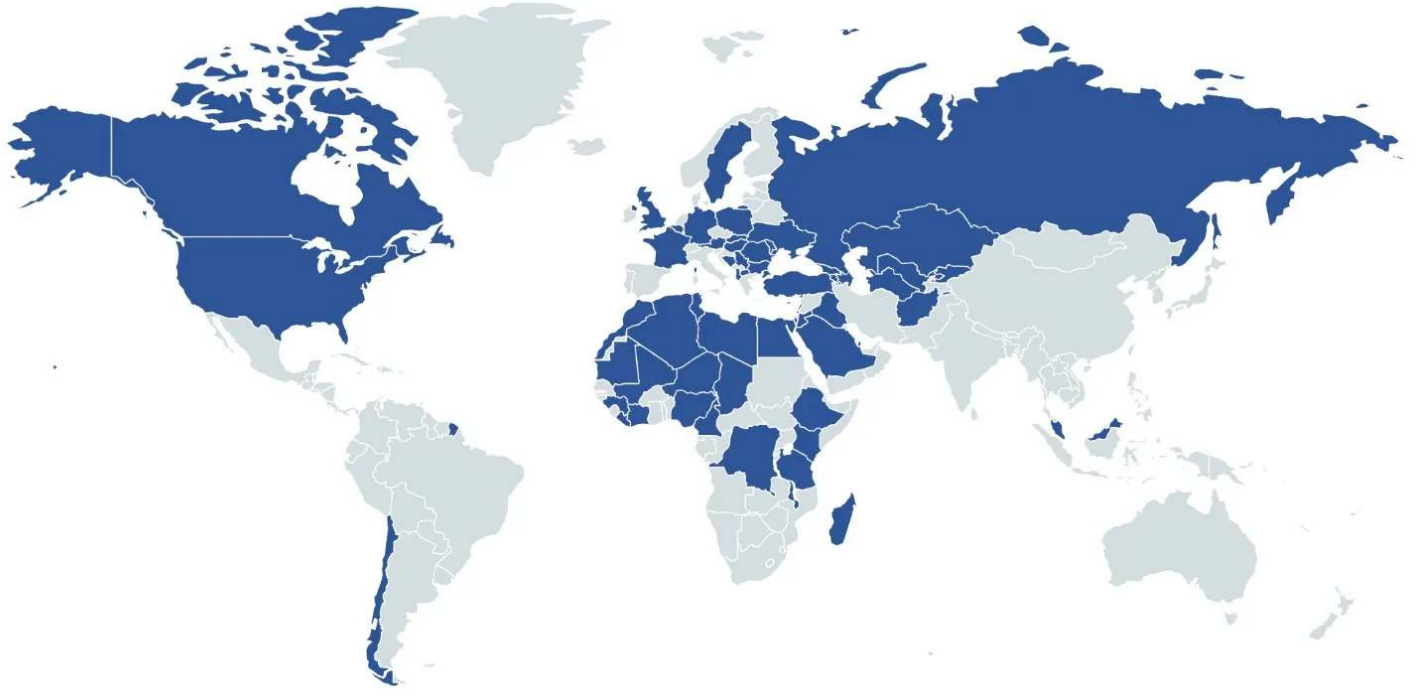
Only for the first step, recycling system need water for sand&gravel washing process, after the first washing process, system can be used waste water to wash sand&gravel

Product Gallery

SIMPLEST WAY TO REDUCE COSTS



References



HEIDELBERG
CEMENT

STRABAG

LAFARGE



HYUNDAI

ASTALDI

clinotech

Limak

kalyon

CENGİZ
İNŞAAT

KOLIN

KİPAŞ HOLDİNG

ONUR
TAHHİT TAHHADLIK İNŞAAT TİC. VE SAN. A.Ş.

DANIŞ BETON
SİVA İNŞAAT SAN. TİC. A.Ş.

AKPINAR

çiftay